

SPARE PARTS EXPLODED VIEW GAS WALL BOILERS

Model

GENIA-RIO-DEA

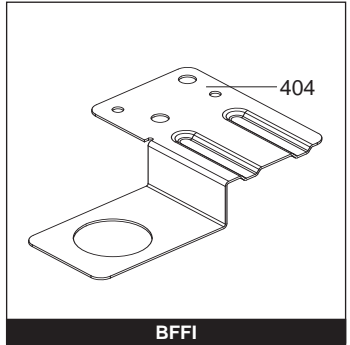
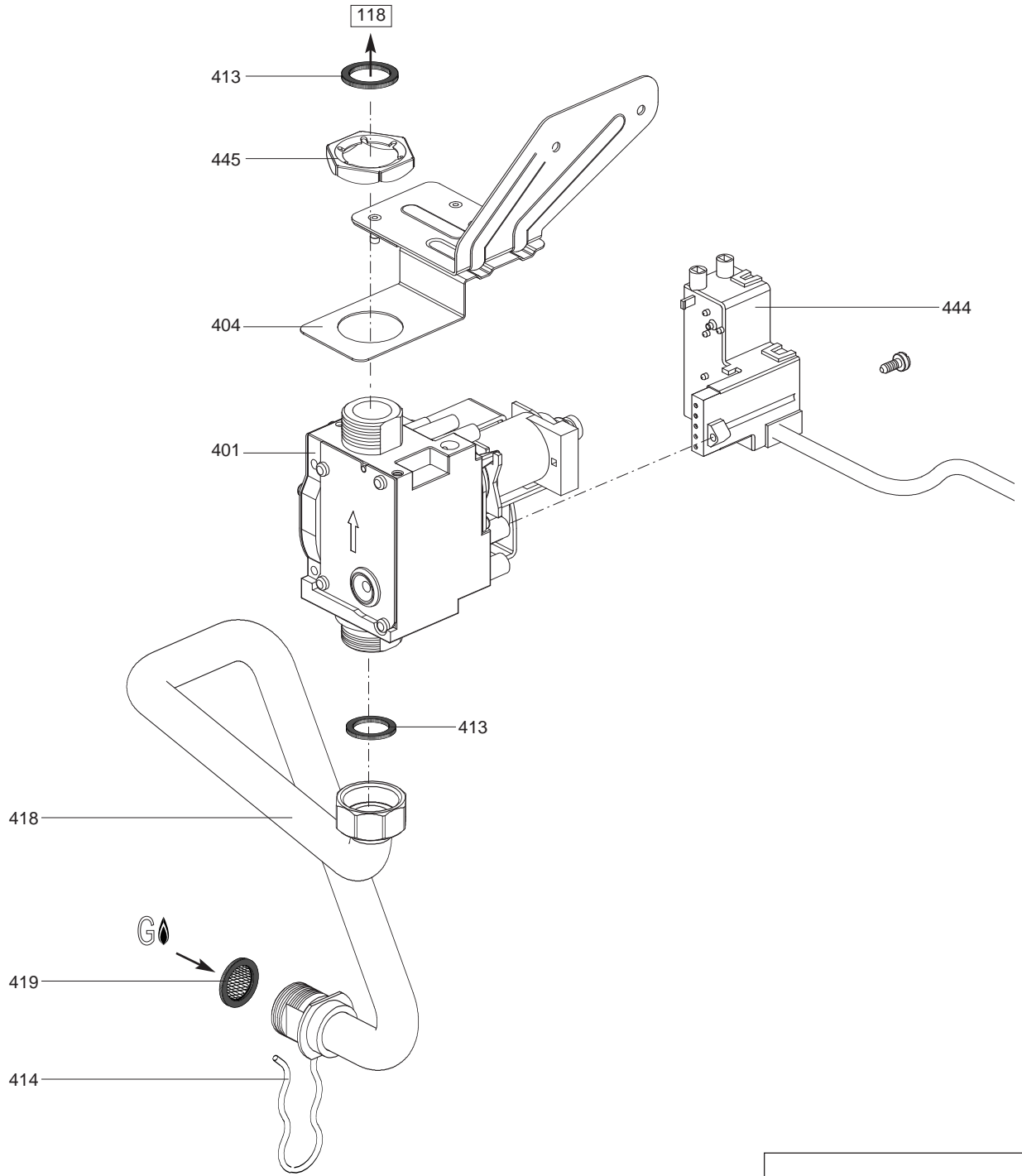
R8202685-02EN - Edition 02 - 03/01/2005

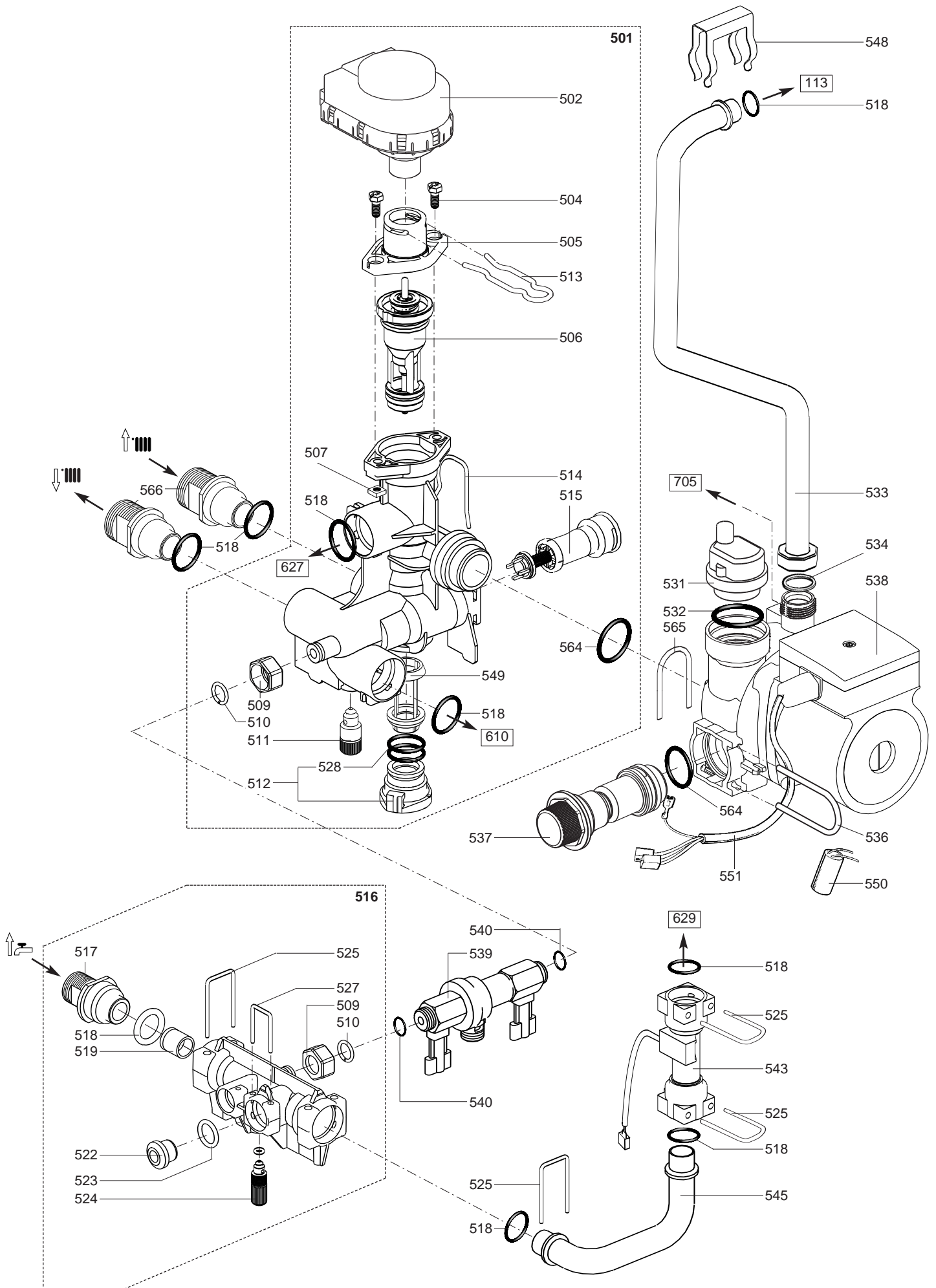


537 673	GENIA MAXI 24/60 BI MET	10/03	...
537 674	GENIA MAXI 24/60 BI GPL	10/03	...
537 675	GENIA MAXI 24/60 BFFI MET	11/03	...
537 676	GENIA MAXI 24/60 BFFI GPL	10/03	...
537 647	DEA MAXI 28/60 BI MET	09/03	...
537 648	DEA MAXI 28/60 BI GPL	09/03	...
537 655	GENIA MAXI 28/60 BI MET	09/03	...
537 656	GENIA MAXI 28/60 BI GPL	09/03	...
537 659	RIO MAXI 28/60 BI MET	09/03	...
537 660	RIO MAXI 28/60 BI GPL	09/03	...
537 649	DEA MAXI 30/60 BFFI MET	09/03	...
537 650	DEA MAXI 30/60 BFFI GPL	09/03	...
537 657	GENIA MAXI 30/60 BFFI MET	09/03	...
537 658	GENIA MAXI 30/60 BFFI GPL	09/03	...
537 661	RIO MAXI 30/60 BFFI MET	09/03	...
537 662	RIO MAXI 30/60 BFFI GPL	09/03	...

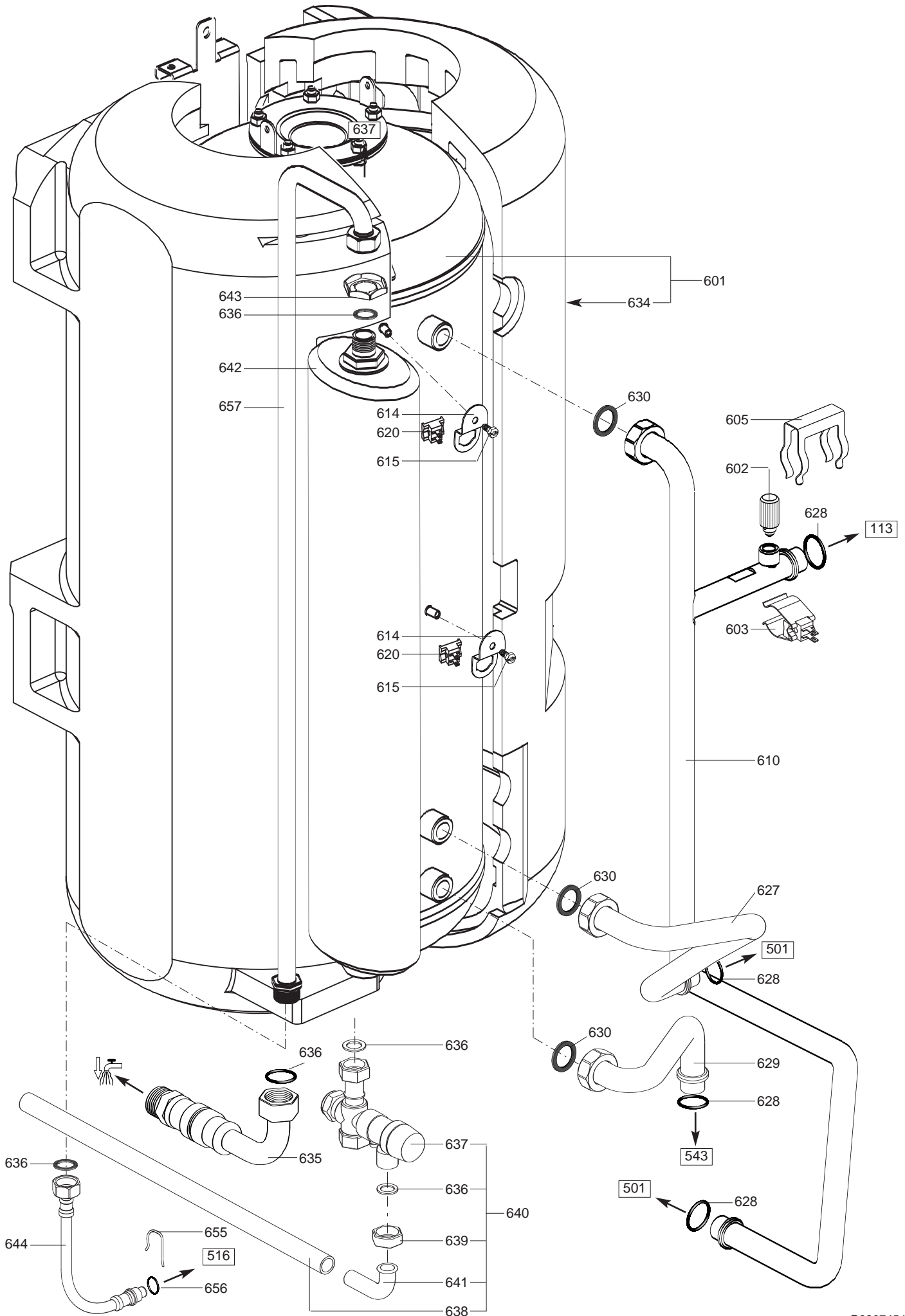
Reference	Ind.	Model type	Begin	End
-----------	------	------------	-------	-----

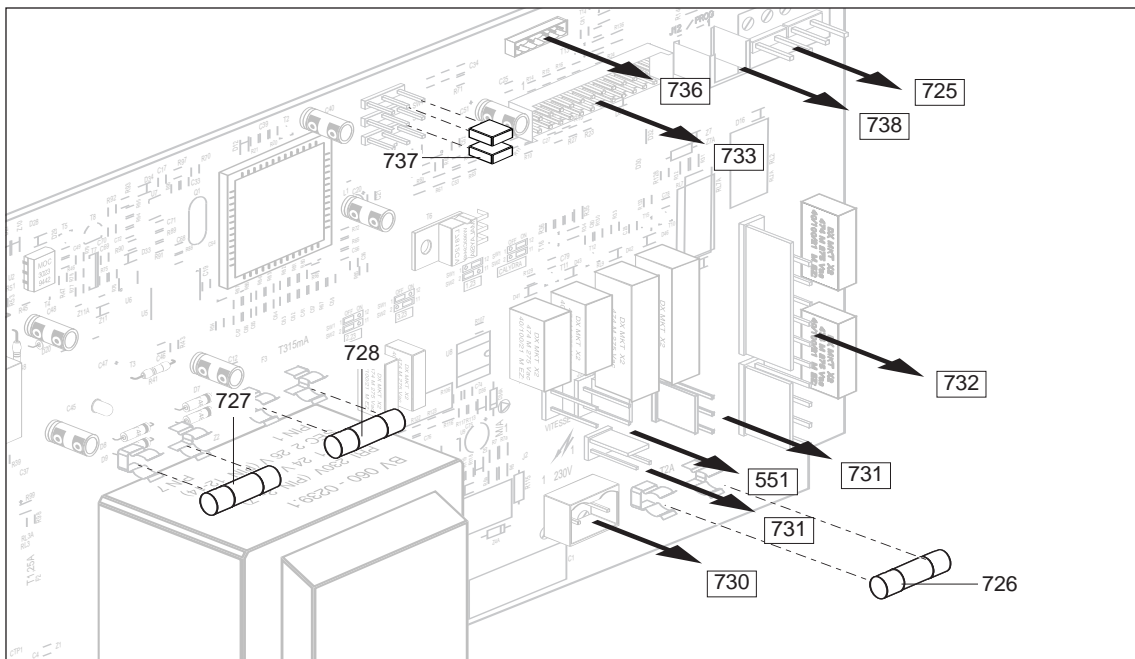
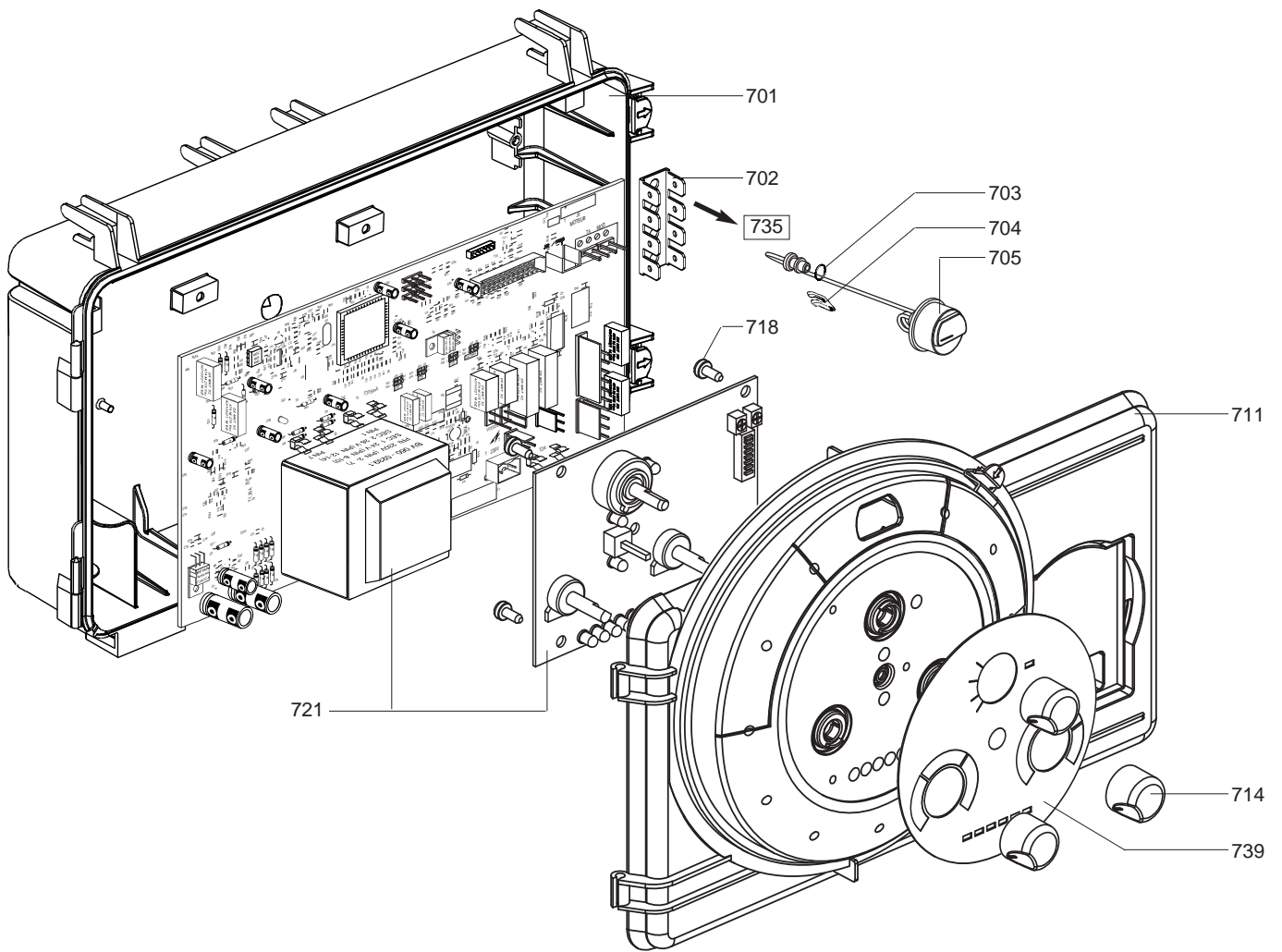
Key N°	Description	Manf. Pt. N°	Other	Type					Manf. date		
					24		28 30		from	to	
					GENIA	GENIA-DEA-RIO	GENIA-DEA-RIO	GENIA-DEA-RIO			
BI	BFFI	BI	BFFI								
0100	BURNER ASSEMBLY										
0101	OVERHEAT THERMOSTAT 100°C	61010572			•	•	•	•			
0103	CLIP	61010050			•	•	•	•			
0104	Temperature probe + clip (C.H. - T335D)	990686			•	•	•	•			
0105	CROSS LIGHTING STRIP	61303352			•	•	•	•			
0106	"O" RING D: 17-4	60024164-51			•	•	•	•			
0107	BURNER BASE & ELECTRODES	61306599			•		•				
	BURNER BASE & ELECTRODES	61306958				•		•			
0110	IGNITION ELECTRODE	61305840			•	•	•	•			
0111	IONIZATION ELECTRODE	61303302			•	•	•	•			
0113	HEAT EXCHANGER	61306547			•	•	•	•			
0114	COMBUSTION CHAMBER	61306550			•		•				
	COMBUSTION CHAMBER	61306551				•					
	COMBUSTION CHAMBER	61306959						•			
0115	TAPPING SCREW CBLX D: 4.2-9.5	61010125			•	•	•	•			
0116	COMBUSTION CHAMBER LINING KIT	61307039			•	•	•	•			
0117	MANIFOLD 18 INJ:0.68 - DIA:4.0	61305248		GPL		•					
	MANIFOLD 18 INJ:0.68 - DIA:4.6	61305433		GPL	•						
	MANIFOLD 18 INJ:0.74 - DIA:9.0	61306960		GPL				•			
	MANIFOLD 18 INJ:0.72 - DIA:4.3	61310975		GPL			•				
	MANIFOLD 18 INJ:1.18 - DIA:5.0	61305214		MET	•						
	MANIFOLD 18 INJ:1.23 - DIA:4.8	61305249		MET		•					
	MANIFOLD 18 INJ:1.23 - DIA:9.0	61306949		MET				•			
	MANIFOLD 18 INJ:1.18 - DIA:8.0	61306987		MET			•				
0118	GAS TUBE	61303140			•	•	•	•			
0119	GASKET (/Manifold)	61010071			•	•	•	•			
0120	SHEET GASKET D: 24-18.2-1.5	60022835-01			•	•	•	•			
0121	Thermostat (safety - 70°C)	61012479			•		•				
0123	SIDE COVER SUPPORT	61303351			•		•				
0128	SCREW CX M 5-12	61011224			•	•	•	•			
0129	TAPPING SCREW CBLX D: 4.2-25	61010128			•	•	•	•			
0200	FAN ASSEMBLY										
0201	SCREW CLX M 5-20	61017600				•		•			
0202	FLUE CONNECTION	61304209				•		•			
0205	GASKET	61303825				•		•			
0206	FAN ASSY	61311926				•		•			
0212	GASKET	61300262				•		•			
0213	PLUG KIT	61306698				•		•			
0214	SILICONE TUBE D: 9x3 L: 1.30M	60081265				•		•			
0216	AIR PRESSURE SWITCH 24-28KW	61307664				•					
	AIR PRESSURE SWITCH 30KW	61307665						•			
0227	TAPPING SCREW CBLX D:4.2-12.5	61010847				•		•			
0228	TAPPING SCREW CBLX D: 6.3-19	61010127				•		•			
0230	GASKET (/ Flue bend turret)	61300258				•		•			
0300	SEALED CASE										
0303	SIDE PANEL	61311923				•		•			
0305	REAR PANEL	61304377				•		•			
0309	SIDE PANEL	61306623				•		•			
0311	FRONT PANEL	61304376				•		•			
0314	GROMMET D: 18	61303149				•		•			
0315	GROMMET	60039017				•		•			
0316	GROMMET - DOUBLE	60042707				•		•			
0317	GROMMET	61303148				•		•			
0318	ADAPTATER	61310346				•		•			
0321	Air return cover	990350				•		•			

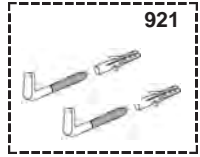
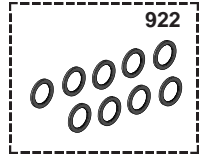
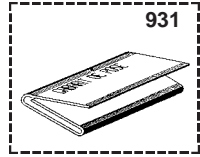
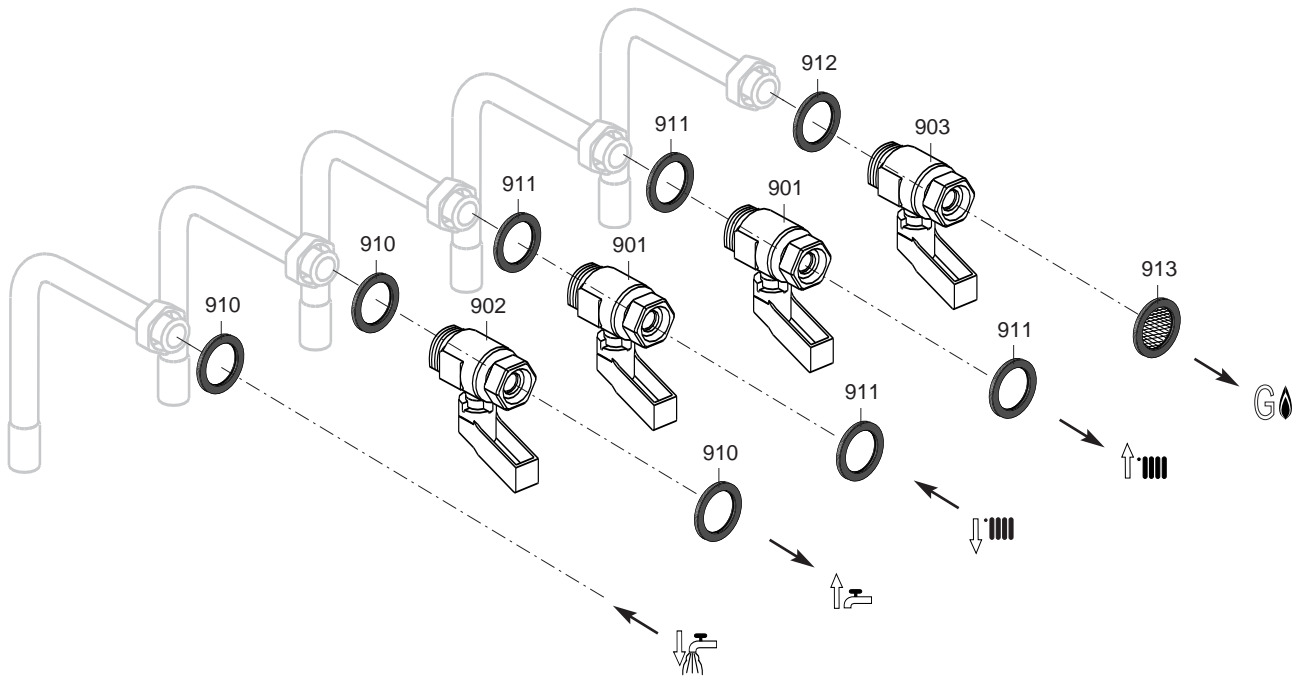




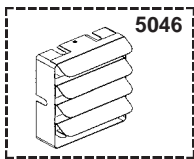
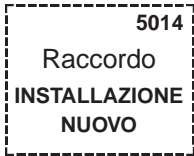
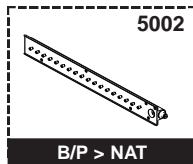
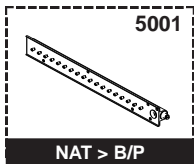
Key N°	Description	Manf. Pt. N°	Other	Type					Manf. date	
					GENIA		GENIA-DEA-RIO		from	to
					BI	BFFI	BI	BFFI		
0500	HYDRAULIC BLOCK									
0501	HEATING BLOCK ASSY	61306595			•	•	•	•		
0502	MOTOR - THREE-WAY VALVE	61302483			•	•	•	•		
0504	SCREW HX M 5-12	61010131			•	•	•	•		
0505	INTERFACE	61304003			•	•	•	•		
0506	VALVE KIT	61303330			•	•	•	•		
0507	NUT M 5	61016604			•	•	•	•		
0509	NUT 3/8" THICK: 11	60020746-20			•	•	•	•		
0510	RETAINING RING	61302621			•	•	•	•		
0511	DRAIN SCREW ASSY	60081028			•	•	•	•		
0512	PLUG ASSY	61305112			•	•	•	•		
0513	PIN	61304002			•	•	•	•		
0514	PIN	61302332			•	•	•	•		
0515	BY-PASS	61305111			•	•	•	•		
0516	WATER/WATER HEAT BLOCK ASSY	61315628			•	•	•	•		
0517	CONNECTION	61302753			•	•	•	•		
0518	"O" RING D: 17-4	60024164-51			•	•	•	•		
0519	FLOW REGULATOR 12L A/R	61303380			•	•	•	•		
0522	PLUG	61303675			•	•	•	•		
0523	"O" RING D: 13.6-2.7	60021061-18			•	•	•	•		
0524	DRAIN SCREW ASSY	60081904			•	•	•	•		
0525	PIN	61016206-02			•	•	•	•		
0527	PIN	61303234			•	•	•	•		
0528	"O" RING D: 22-2	60022113-03			•	•	•	•		
0531	AIR SEPARATOR HEAD ASSEMBLY	61304608			•	•	•	•		
0532	GASKET KIT	61304618			•	•	•	•		
0533	TUBE : PUMP TO HEAT EXCHANGER	61303219			•	•	•	•		
0534	"O" RING D: 16-1.9	61009833-37			•	•	•	•		
0536	CLIP	61302720			•	•	•	•		
0537	PRESSURE RELIEF VALVE	61305113			•	•	•	•		
0538	PUMP + AIR SEPARATOR 15/50	61301964			•	•	•	•		
	PUMP + AIR SEPARATOR 15/60	61303461			•	•	•	•		
0539	DISCONNECTOR	61303319			•	•	•	•		
0540	SHEET TASKET D: 15-8.5-1.5	60030867			•	•	•	•		
0543	STOPPED WATER THROTTLE	61304982			•	•	•	•		
0545	COLD WATER TUBE	61311240			•	•	•	•		
0548	CLIP	61010609			•	•	•	•		
0549	HEATING FILTER	61016502			•	•	•	•		
0550	CAPACITOR	61000652-10			•	•	•	•		
0551	PUMP LEAD (2 SPEEDS)	61306995			•	•	•	•		
0564	"O" RING D: 24.6-3.6	61009834-30			•	•	•	•		
0565	CLIP	60030898-03			•	•	•	•		
0566	CONNECTION	61303920			•	•	•	•		







5000





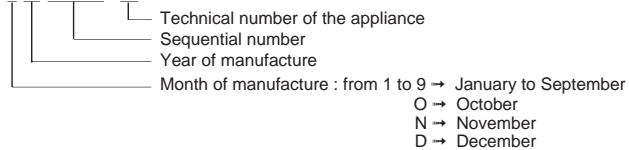
LIST OF THE ABBREVIATIONS

HW	: Hot water.
CW	: Cold water.
C	: Ceramic resistance (nomral heating).
Ca	: Ceramic resistance (accelerated heating)
TP	: Immersion heater.
1F	: With fittings.
2F	: Without fittings.
3F	: With fittings and another outlet connection.
AMI	: With mixing valve.
SMI	: Without mixing valve.
PUISS	: Power of th appliance.
PN	: Appliance with normal pression.
LP	: Appliance with low pression.
PV	: Appliance with variable power.
PF	: Appliance with fixed power..

IDENTIFICATION PLATE

SERIAL NUMBER

Ex: 1 95 065004 - 31



The indications mentioned on the prices, commercial or technical literature and the scheme are written for your guidance and are available at a given time. The CONSTRUCTOR retains the power to modify the presentation, the form, the size, the conception or the material of the products.

